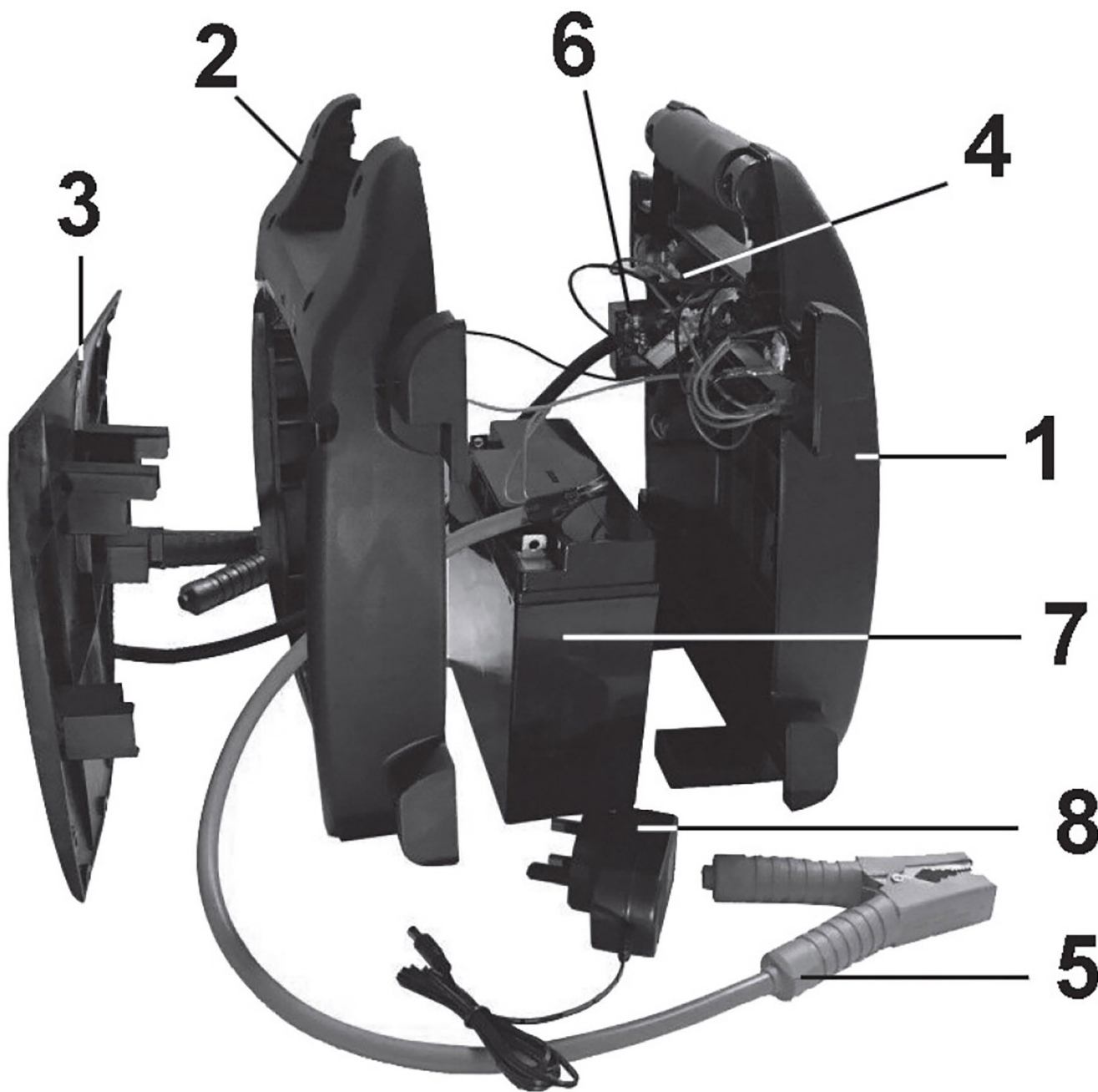




Parts Information:  
**RoadStart® 12V Emergency 6-Cylinder  
 Jump Starter 3.5L  
 Model No: RS102B**



Item	Part No.	Description
1	RS102B.01	Front Case (RS102B Only)
2	RS102B.02	Back Case (RS102B Only)
3	RS102B.03	Panel for Back Case (RS102B Only)
4	RS1B.04	Switch, On/Off Rotary (c/w Fixing Nuts)
5	RS1B.05	Positive & Negative Clamp Assembly
6	RS1B.06	PCB, Circuit Board, 65 x 50mm (c/w Micro Switch x 2)

Item	Part No.	Description
7	RS125.12	Battery, 12V, 22Ah/264Wh (Lead Acid)(165 x 180 x 75mm)
8	RS1B.CHARGER	Mains Charger UK 15V DC 0.8A 5mm Pin Jack
--	RS1B-06N	PCB and Lead (c/w 5-Pin Plug)(3 diodes) (Not Shown)

**NOTE:** It is our policy to continually improve products and as such we reserve the right to alter data, specifications and component parts without prior notice. There may be alternative versions of this product, please contact us should you require this information.

**IMPORTANT:** No liability is accepted for incorrect use of product. Spare parts must be fitted by a competent person

**WARRANTY:** Guarantee is 12 months from purchase date, proof of which will be required for any claim.

**Jack Sealey Ltd t/a Sealey Group**, Kempson Way, Suffolk Business Park, Bury St Edmunds, Suffolk, IP32 7AR UK  
**Jack Sealey (EU) Ltd t/a Sealey Group**, Farney Street, Carrickmacross, Co. Monaghan, A81 PK68 Ireland  
 Tel: 01284 757500 · Email: sales@sealey.co.uk · Web: www.sealey.co.uk